

HCP PUMP

Model	GD-750
Series	GD
Frequency	50
Phase / Volt	1 Ø / 230 V
Rated Current	5 A
Discharge	50 mm (2")



Motor Data

Input Power—P1	1.05 kW
Rated Power—P2	0.75 kW
Insulation Class	B
Max. Starts Per Hour	10
Rated Speed (rpm)	2780
Start Method	CAPACITOR
Ingress Protection Code	IP68
Explosion-Proof	NO

Technology

Impeller Type	Vortex
Mechanical Seal	Double
Lubricating Oil VG32	190 CC
Solid Passage	7 mm (¼")
Cooling Type	Self-cooling

Material

Motor Frame	ADC12 (383)
Shaft	SUS410 (X10Cr13)
Casing	Synthetic Rubber
Impeller	SPCC (St12)
Mechanical Seal	CA/CE&SiC/SiC
Cable	VCT,H07RN-F
Upper and Lower Bearing	6201ZZ,6302ZZ

Liquid

Maximum Ambient Temperature	0~40°C (32~104°F)
Maximum Installation Depth	10m (33ft)
Highest Liquid Temperature	40 °C (104°F)
Liquid Transported	Sewage

Others(Optional)

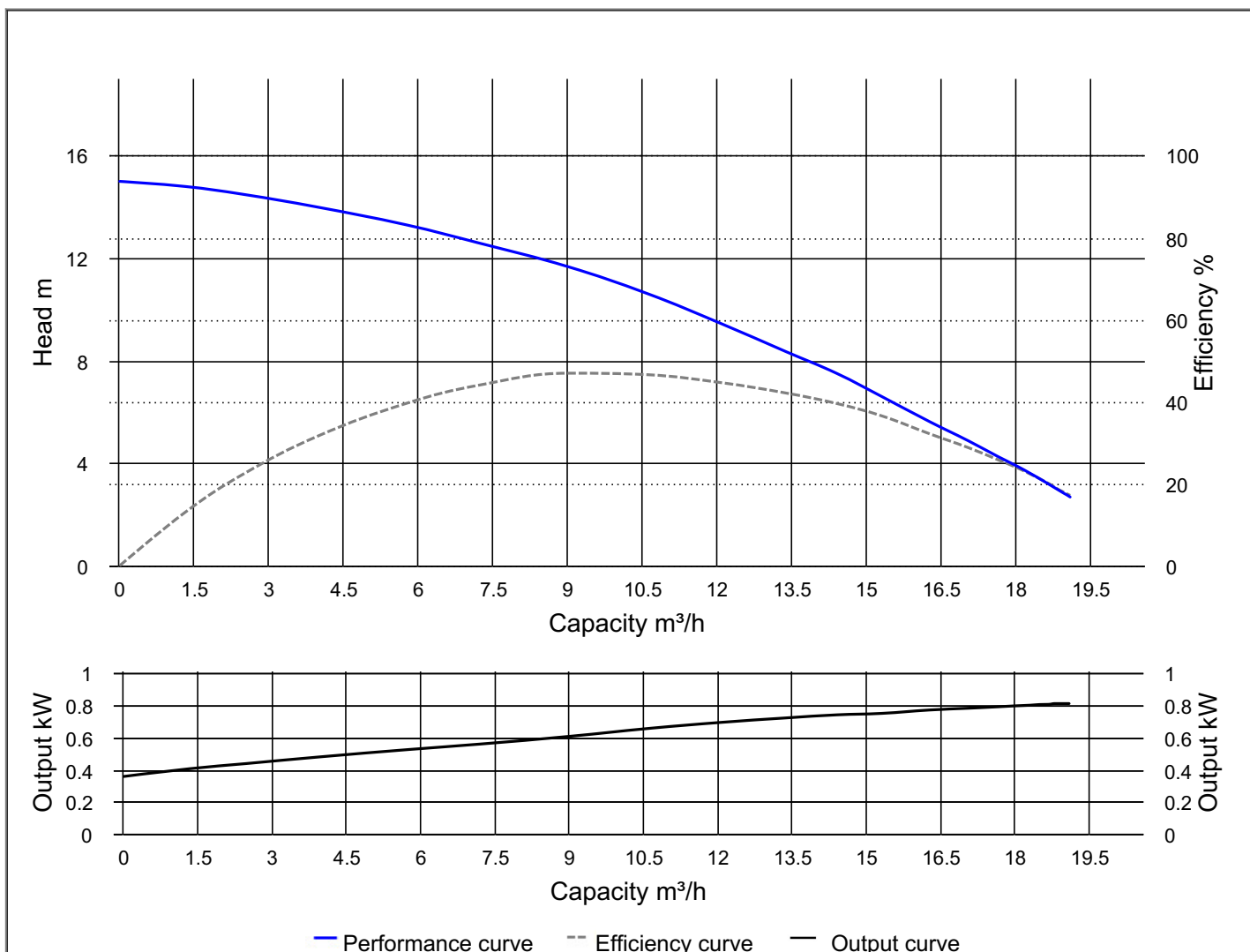
Protection Device	Auto-cut Protector
Moisture Sensor	



HCP PUMP

PUMP PERFORMANCE CURVES

Model	GD-750	File NO.	20241120202709
Frequency	50 Hz	Ver NO.	202003060911
Discharge	2" / 50 mm	REFERENCE SPECIFICATION	
Power	1 HP / 0.75 kW	Output	0.63 kW
Std. Head	11 m	Efficiency	46.8 %
Std. Capacity	9.6 m ³ /h		
Phase / Volt	1 Ø / 230 V		
Rated Current	5 A		
Pole / rpm	2 P / 2780 rpm		
Start Method	CAPACITOR		
Insulation Class	B		

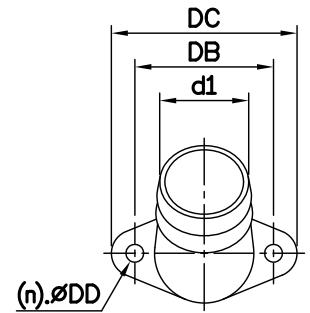
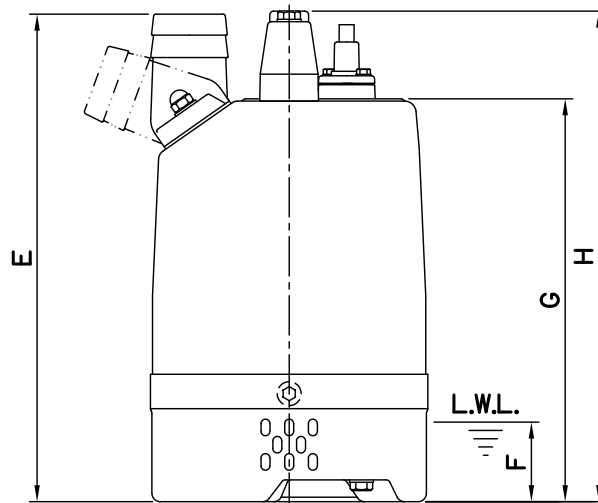
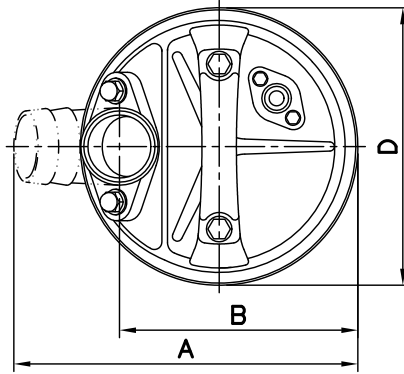


DIMENSIONS

NO: S2GD0208012-00

MODEL: GD-400 / 750

1Ø



Dimensions-mm

Weight:kg

Model	A	B	D	E	F	G	H	WT1	Outlet	d1	DB	DC	DD	(n)QTY
GD-400	230	159	185	303	50	247	305	10.5	LOH2-74	50	74	99	9	2
GD-750	230	159	185	325	50	269	327	12.6	LOH2-74	50	74	99	9	2

Dimensions-inch

Weight:lb

Model	A	B	D	E	F	G	H	WT1	Outlet	d1	DB	DC	DD	(n)QTY
GD-400	9 ¹ / ₁₆	6 ¹ / ₄	7 ⁵ / ₁₆	11 ¹⁵ / ₁₆	2	9 ³ / ₄	12	23	LOH2-74	2	2 ¹⁵ / ₁₆	3 ⁷ / ₈	3 ³ / ₈	2
GD-750	9 ¹ / ₁₆	6 ¹ / ₄	7 ⁵ / ₁₆	12 ³ / ₈	2	10 ¹⁵ / ₁₆	12 ⁷ / ₈	28	LOH2-74	2	2 ¹⁵ / ₁₆	3 ⁷ / ₈	3 ³ / ₈	2

L.W.L.:Lowest Running Water Level

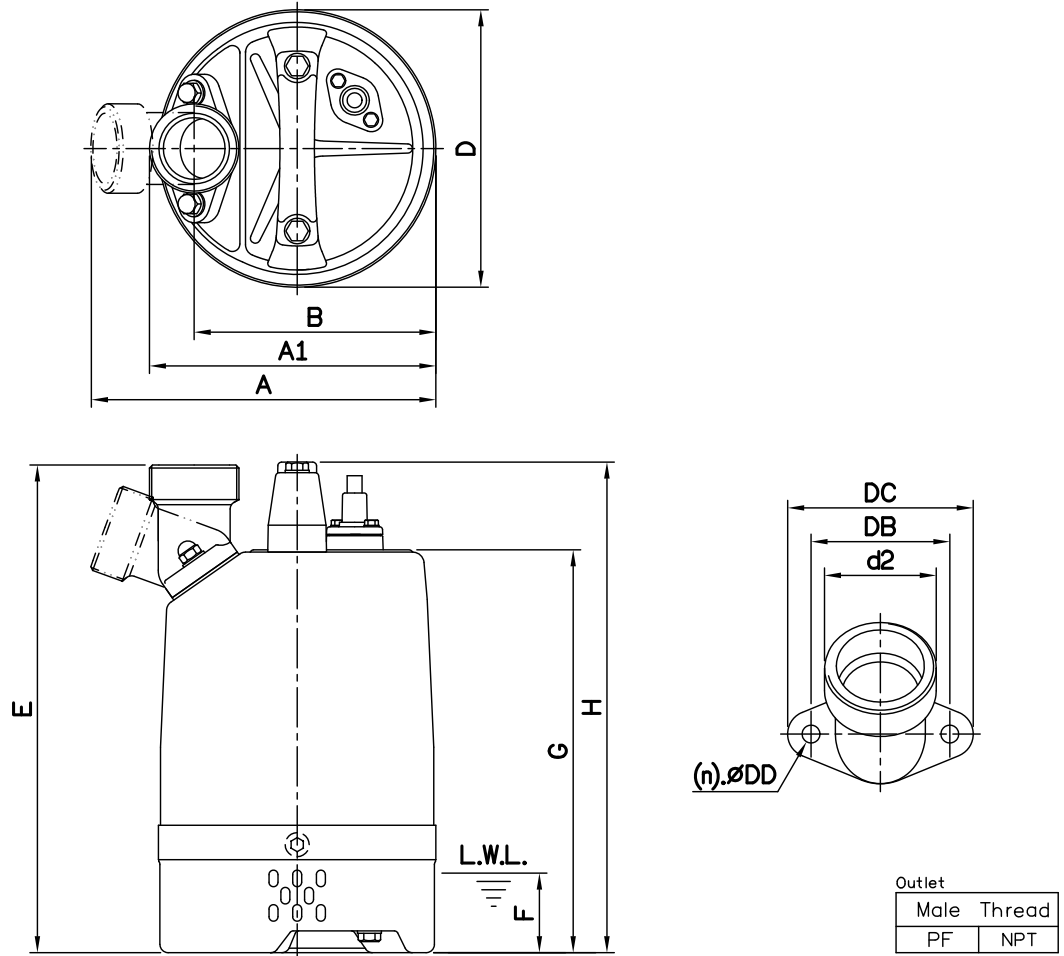
WT1:Pump Weight(Without Cable)

DIMENSIONS

NO: S2GD0208013-00

MODEL: GD-400 / 750

1Ø



Dimensions—mm

Weight:kg

Model	A	A1	B	D	E	F	G	H	WT1	Outlet	d2	DB	DC	DD	(n)QTY
GD-400	230	191	161	185	303	50	247	305	10.5	LOT2-74	50	74	99	9	2
GD-750	230	191	161	185	325	50	269	327	12.6	LOT2-74	50	74	99	9	2

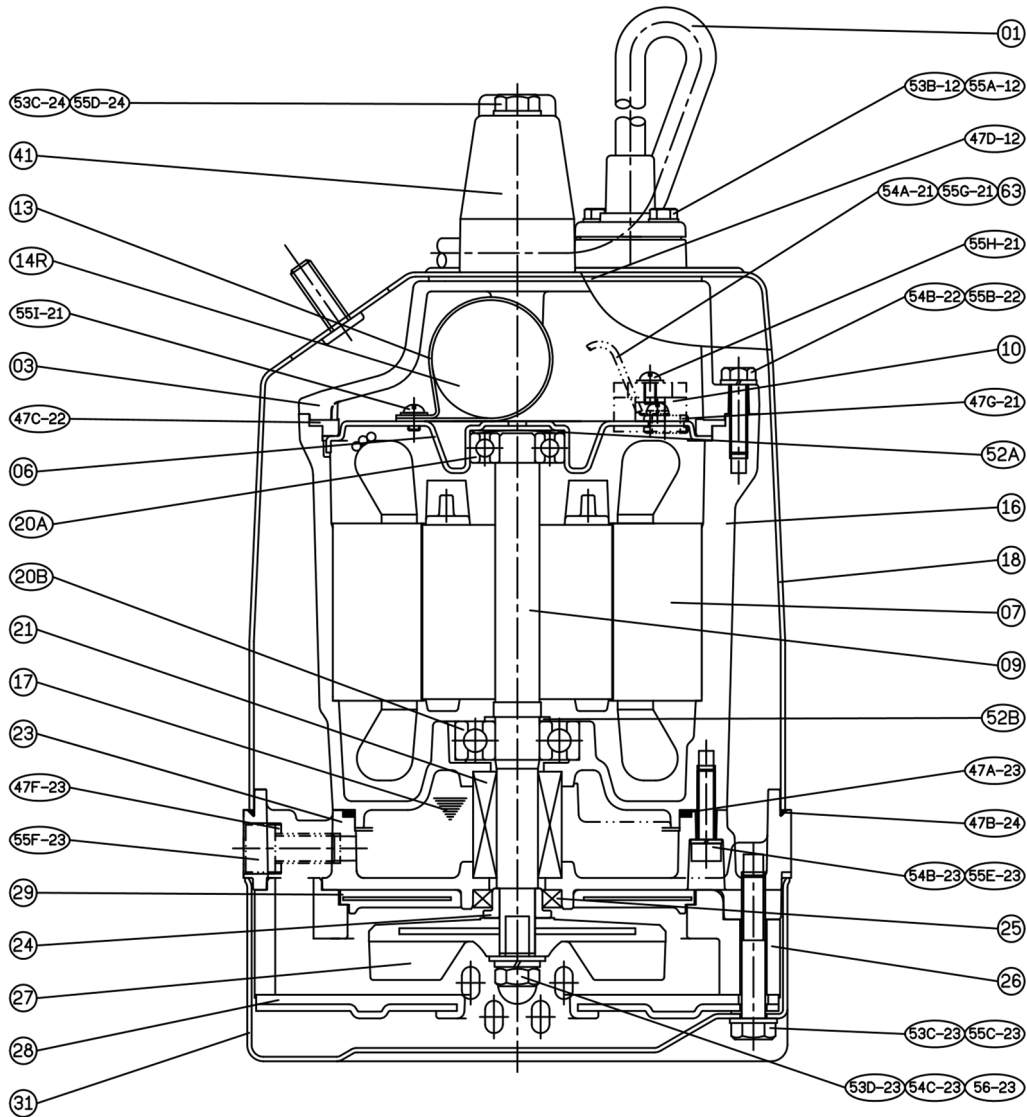
Dimensions—inch

Weight:lb

Model	A	A1	B	D	E	F	G	H	WT1	Outlet	d2	DB	DC	DD	(n)QTY
GD-400	9 ¹ / ₈	7 ¹ / ₂	6 ⁵ / ₁₆	7 ⁵ / ₁₆	11 ¹⁵ / ₁₆	2	9 ³ / ₄	12	23	LOT2-74	2	2 ¹⁵ / ₁₆	3 ⁷ / ₈	3 ³ / ₈	2
GD-750	9 ¹ / ₈	7 ¹ / ₂	6 ⁵ / ₁₆	7 ⁵ / ₁₆	12 ³ / ₁₆	2	10 ¹⁵ / ₁₆	12 ⁷ / ₈	28	LOT2-74	2	2 ¹⁵ / ₁₆	3 ⁷ / ₈	3 ³ / ₈	2

L.W.L.:Lowest Running Water Level

WT1:Pump Weight(Without Cable)



NO.	Part name	Material	QTY
01	Cable		1
03	Upper Cover	ADC12	1
06	Bracket	SECD	1
07	Stator		1
09	Shaft End	SUS410	1
10	Auto-cut Protector		1
14R	Capacitor		1
16	Motor Frame	ADC12	1
17	Lubricant		
18	Outer Cover	SPCE	1
20A	Bearing		1
20B	Bearing		1
21	M. Seal	CA/CE & SiC/SiC	1
23	M. Seal Bracket	ADC12	1

NO.	Part name	Material	QTY
24	Oil Seal Bush	SUS304L	1
25	Oil Seal	NBR	1
26	Casing	Synthetic Rubber	1
27	Impeller	Urethane Rubber+SPCC	1
28	Casing Cover	Synthetic Rubber+SPCC	1
29	Wear plate	Synthetic Rubber+SPCC	1
31	Strainer	SUS304	1
41	Handle	ABS	1
47	Gasket Kit		