

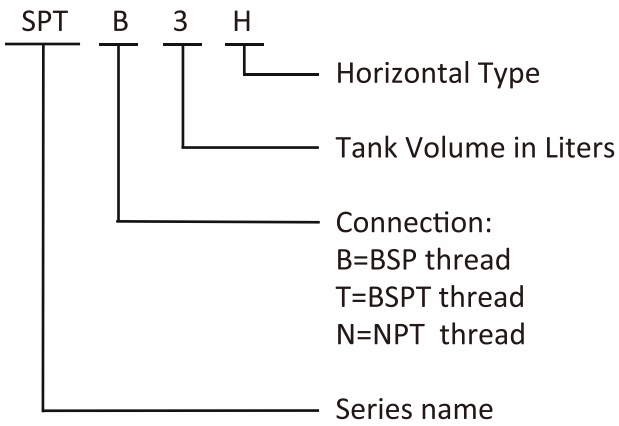


SPTB,SPTT,SPTN series 10 Bar Pressure Tank



PRESSURE TANK

Model code



Features

- NSF Standard 61, IAPMO R&T UPC, ACS, CE approved
- Polypropylene liner to ensure long durability
- Butyl diaphragm to assure long life and safety
- Corrosion resistant durable baked epoxy coating finish
- Leak free, O-ring sealed air valve cap
- 100% pressure tested
- No maintenance needed
- 304 Stainless Steel water connection

Applications

- Water storage
- Water pressure boosting
- Water transferring

Operation Conditions

- Max.Working Pressure: 10 bar
- Max.Working Temperature: 90°C

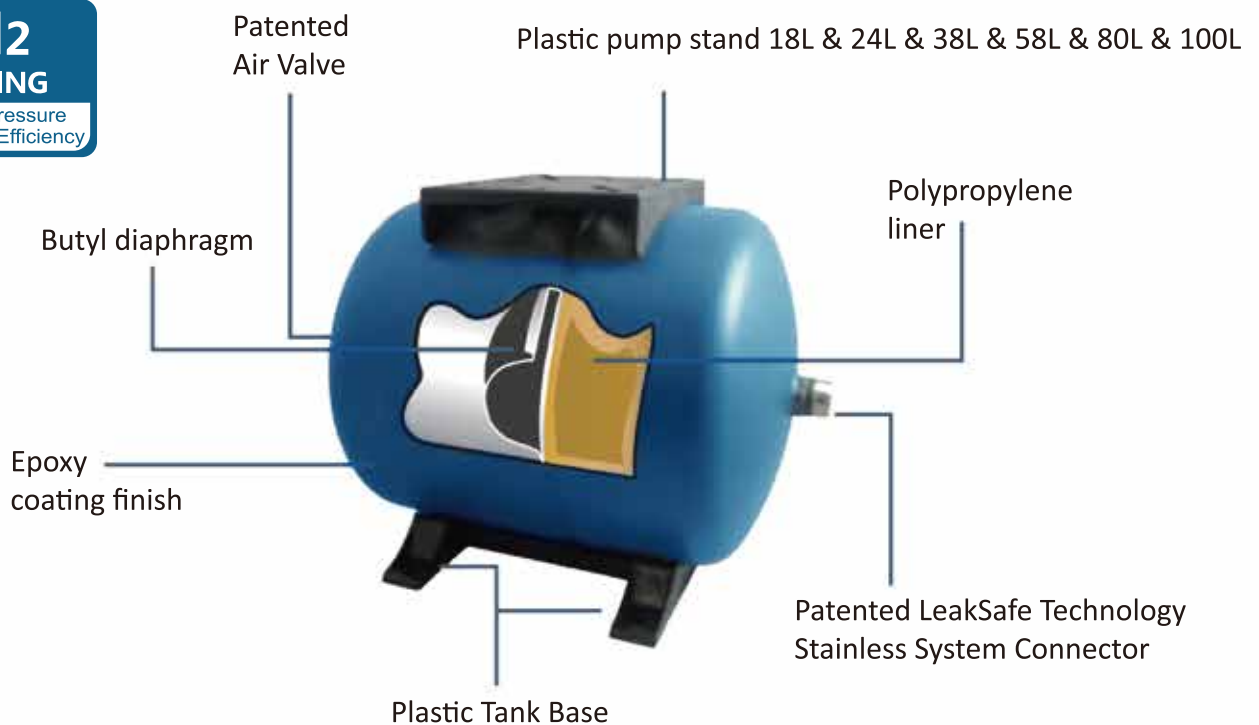


In-Line Type

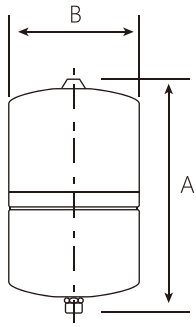


Vertical Type With Base

Volume	Type
1 - 38 Liter	In-Line
58 - 450 Liter	Vertical Type With Base
18 - 100 Liter	Horizontal Type With Base



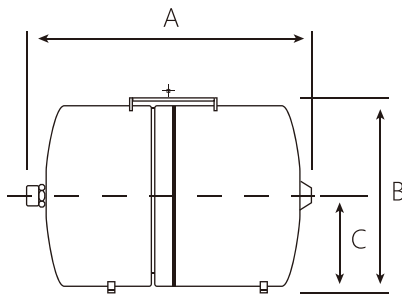
PRESSURE TANK



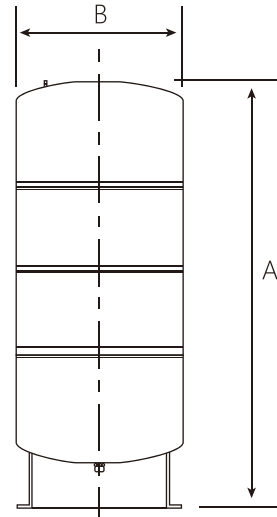
In-line Type

Model	Dimensions(mm)			
	A		B	
	mm	Inch	mm	Inch
SPT 1	201	7.9	120	4.7
SPT 3	220	8.7	140	5.5
SPT 8	304	12.0	203	8.0
SPT 12	384	15.1	229	9.0
SPT 18	364	14.3	280	11.0
SPT 24	415	16.3	290	11.4
SPT 38	564	22.2	290	11.4

Model	Dimensions(mm)					
	A		B		C	
	mm	Inch	mm	Inch	mm	Inch
SPT 18H	364	14.3	280	11.0	140	5.5
SPT 24H	415	16.3	290	11.4	145	5.7
SPT 38H	564	22.2	290	11.4	145	5.7
SPT 60H	536	21.1	390	15.3	190	7.5
SPT 80H	469	18.5	432	17.0	216	8.5
SPT 100H	710	28.0	430	16.9	215	8.4



Horizontal Type With Base



Vertical Type With Base

Model	Dimensions(mm)			
	A		B	
	mm	Inch	mm	Inch
SPT 58	592	23.4	390	15.3
SPT 80	693	27.3	432	17.0
SPT 100	765	30.1	430	16.9
SPT 120	1148	45.2	390	15.3
SPT 130	785	30.9	550	21.7
SPT 160	931	36.7	550	21.7
SPT 200	1066	42.0	550	21.7
SPT 235	1196	47.1	550	21.7
SPT 305	1463	57.6	550	21.7
SPT 325	1105	45.5	650	25.6
SPT 450	1410	55.5	650	25.6

Model			Total Tank Volume		Accept Volume		N.W.		G.W		Shipping Volume		Connection	Base		
			In-line Type													
BSP	BSPT	NPT	Liter	Gal	Liter	Gal	Kg	Lbs.	Kg	Lbs.	CUF	CBM	Dimensions	Material		
N/A	N/A	SPTN 1	1.3	0.35	0.4	0.11	2.7	5.96	3.1	6.84	0.84	0.0238	1/2" (MALE)	-		
SPTB 3	SPTT 3	SPTN 3	3	0.5	1.0	0.25	4.1	9.04	4.7	10.4	0.84	0.0238	3/4"or 1" (MALE)	-		
SPTB 8	SPTT 8	SPTN 8	8	2.0	3.5	0.9	1.9	4.19	2.3	5.07	0.52	0.0147	3/4"or 1" (MALE)	-		
SPTB 12	SPTT 12	SPTN 12	12	3.2	6.0	1.6	2.9	6.40	3.2	7.06	0.77	0.0218	3/4"or 1" (MALE)	-		
SPTB 18	SPTT 18	SPTN 18	18	4.5	9.5	2.5	3.3	7.28	3.7	8.16	1.13	0.0320	3/4"or 1" (MALE)	-		
SPTB 24	SPTT 24	SPTN 24	24	6.0	11.5	3.0	3.9	8.60	4.8	10.6	1.51	0.0428	3/4"or 1" (MALE)	-		
SPTB 38	SPTT 38	SPTN 38	38	10	20.0	5.2	5.9	13.0	6.8	15.0	1.94	0.0549	3/4"or 1" (MALE)	-		
Vertical Type With Base																
SPTB 58	SPTT 58	SPTN 58	58	14	42.8	11.3	9.7	21.4	11.0	24.3	3.68	0.1042	3/4"or 1" (MALE)	PLASTIC		
SPTB 80	SPTT 80	SPTN 80	80	20	50.0	13.0	12.1	26.7	14.0	30.9	4.85	0.1373	1" (MALE)	PLASTIC		
SPTB 100	SPTT 100	SPTN 100	100	28	58.5	15.0	13.3	29.3	15.2	33.5	5.39	0.1526	1" (MALE)	PLASTIC		
SPTB 120	SPTT 120	SPTN 120	120	32	58.8	15.0	20.1	44.3	22.7	50.1	6.77	0.1917	1" (MALE)	PLASTIC		
SPTB 130	SPTT 130	SPTN 130	130	34	85.6	22.5	21.5	47.4	24.5	54.1	8.42	0.2384	1" (MALE)	PLASTIC		
SPTB 160	SPTT 160	SPTN 160	160	44	115	30.0	24.5	54.0	27.8	61.3	10.19	0.2885	1" -1/4"(MALE)	PLASTIC		
SPTB 200	SPTT 200	SPTN 200	200	53	128	33.8	27.6	60.0	31.1	68.6	12.01	0.3401	1" -1/4"(MALE)	PLASTIC		
SPTB 235	SPTT 235	SPTN 235	235	62	140	35.2	34.9	77.0	37.7	83.2	13.07	0.3701	1" -1/4"(MALE)	PLASTIC		
SPTB 305	SPTT 305	SPTN 305	305	81	167	44.0	41.1	90.7	47.1	103.9	16.28	0.4610	1" -1/4"(MALE)	PLASTIC		
SPTB 325	SPTT 325	SPTN 325	325	86	228	60.2	42.5	93.7	48.5	106.9	17.51	0.4958	1" -1/4"(MALE)	STEEL		
SPTB 450	SPTT 450	SPTN 450	450	120	360	95.1	56.5	124.6	61.5	135.6	24.20	0.6853	1" -1/4"(MALE)	STEEL		
Horizontal Type With Base																
SPTB 18H	SPTT 18H	SPTN 18H	18	4.5	9.5	2.5	3.9	8.60	4.4	9.70	1.32	0.0374	3/4"or 1" (MALE)	PLASTIC		
SPTB 24H	SPTT 24H	SPTN 24H	24	6.0	11.5	3.0	4.8	10.6	5.4	11.9	1.55	0.0439	3/4"or 1" (MALE)	PLASTIC		
SPTB 38H	SPTT 38H	SPTN 38H	38	10	20.0	5.2	6.5	14.4	7.4	16.4	2.19	0.0620	3/4"or 1" (MALE)	PLASTIC		
SPTB 58H	SPTT 58H	SPTN 58H	58	14	42.8	11.3	9.8	21.7	11.1	24.5	3.43	0.0971	3/4"or 1" (MALE)	PLASTIC		
SPTB 80H	SPTT 80H	SPTN 80H	80	20	50.0	13.0	12.0	26.5	13.5	29.8	4.85	0.1373	1" (MALE)	PLASTIC		
SPTB 100H	SPTT 100H	SPTN 100H	100	28	58.5	15.0	13.6	30.0	15.0	33.1	5.00	0.1416	1" (MALE)	PLASTIC		

- SPT 1 and 3 liters tanks: 4 pcs / box
- Optional Stainless steel 90°female elbow (58, 80, 100, 120, 130, 160, 200, 235, 305, 325, 450 Liters vertical models)
- Factory Precharge:30 PSI / 2bar
- Optional New Plastic base (Vertical Models, 58, 80, 100, 120L)



www.stairs.com.tw

