

Code	43CPN286A	Uses	Household
Family	2-4 CP 80-100		
Group	Multistage centrifugal		
Typology	Surface		

Application limits

Liquid Type	Clean Water
Minimum liquid temperature	-10 °C
Maximum liquid temperature	40 °C
Maximum Chlorine Content	0 ppm
Maximum Sand Content	0 ppm
Manometric suction lift	7 m
Maximum immersion depth	0 m
Maximum Ambient Temperature	40 °C
Minimum Ambient Temperature	0 °C
Maximum Working Pressure	6 bar

Duty Point

Flow rate (actual)	0,000 l/min
Head (actual)	0,000 m

Pump nameplate data

Flow rate	5 - 130 l/min
Head	50 - 5 m
Maximum head	50 m
Minimum head	5 m
Minimum Efficiency Index	-

Construction and safety standards

- EN 60335-1, IEC 60335-1
- EN 60034-1, IEC 60034-1

Connections

Type of connection	Gas threaded
Size of suction connection	1"
Size of delivery connection	1"

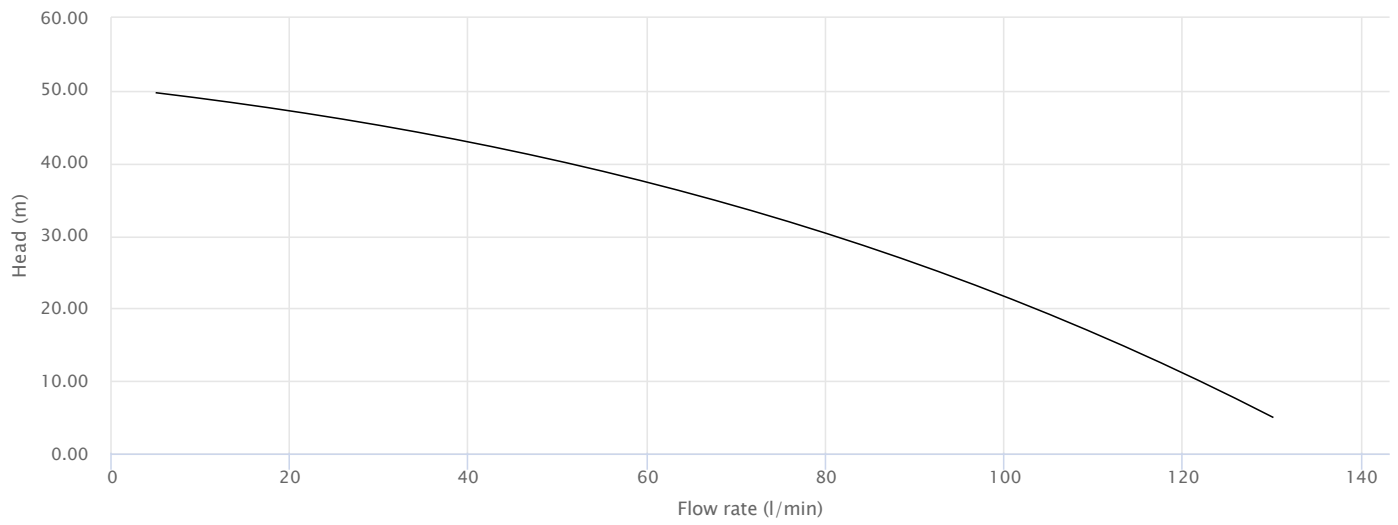
Input Data

Rated flow rate (requested)	0,000 l/min
Rated head (requested)	0,000 m
System geodetic head	0,000 m
System friction losses	0,000 m
NPSH Available	0,000 m
Liquid	Water
Temperature	20 °C
Density	998,1 kg/m ³
Kinematic Viscosity	1,00 mm ² /s
Vapour Pressure	2 318 Pa

Motor nameplate data

Voltage	220-230/380-400 V
Phases	3
Frequency	50 Hz
Rotation Speed	2900 rpm
Rated output power	0,75 kW
Rated Current	4 A
Input power P1	0 kW
Efficiency grade	Undefined
Capacitor	- µF
Capacitor Voltage	- V
Insulation Class	F
Enclosure class IP	X4

Performance



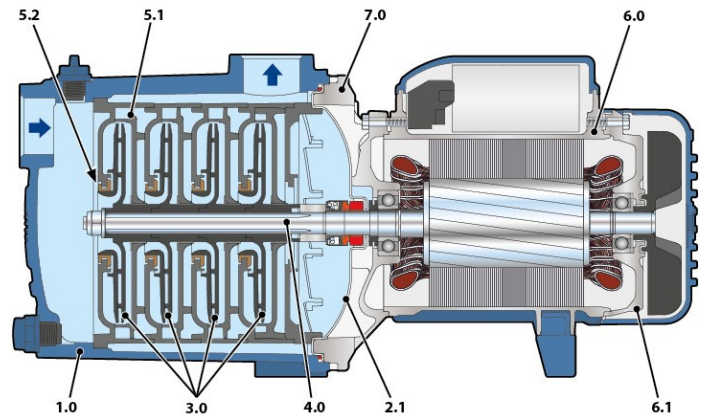
Construction

Bearings

Motor bearing - pump side	6203 ZZ
Motor bearing - opposite side	6203 ZZ

Shaft Seal

Seal Type	Single mechanical seal
Pump Side Model	AR-13
Diameter PS	13
Stationary Ring PS	Ceramic
Rotating Ring PS	Graphite
Elastomer PS	NBR



Materials

1.0 - Pump casing	Grey cast iron GJL 200 EN 1561
2.1 - Casing Cover	Stainless steel EN 1.4301 (AISI 304)
3.0 - Impeller	Reinforced technopolymer
4.0 - Pump Shaft	Stainless steel EN 1.4057 (AISI 431)
5.1 - Diffuser	Reinforced technopolymer
5.2 - Liner Ring	Polyacetal POM
6.0 - Motor casing	Die cast Aluminium EN-AB 46100
6.1 - Motor Cover	Die cast Aluminium EN-AB 46100
7.0 - Bracket	Die cast Aluminium EN-AB 46100

Dimensions

DN1	DN2	a	f	h	h1	h2	h3	n2	s	t	w	Kg
1"	1"	110	357	192	134	38	172	116	9	158	1,5	13,8

