

ENM 50 - ENM electric pumps



The ENM series are professional versions of self-priming electric transfer pumps in brass. Equipped with an oversized single-phase asynchronous motor and long-lasting rotary switch, they are designed for heavy applications.

These pumps are equipped with a strong suction capacity, they can work even with discontinuous presence of the liquid and the flow is reversible. They are really multifunctional pumps, capable of solving multiple pumping problems. For each application, it is necessary to check the suitability and choose appropriate gaskets.

The product are particularly suitable for use:

- agriculture (fungicides, liquid fertilizers, components on agricultural machinery, irrigation)
- professional use (continuous over time and heavy-duty applications, installation on systems)
- industry (installation on plant, machinery, machinery, production lines)

Hydraulic specifications

- Maximum capacity : 250 lt/min
- Maximum head : 29 m
- Gasket on the shaft: Seal
- Maximum priming height : 6 m
- Threaded ports: 2"
- Maximum liquid density 1.1g/cm³ free of hard particles in suspension
- Maximum temperature 90°C
- Not suitable for aggressive liquids towards pump construction materials and gaskets (see technical specifications)
- Not appropriate for the transfer of petrol, solvents and, in general, in environments with risk of explosion and fire
- Possibility of reversing the pumping flow
- Coupling with impeller locked
- Complete with a pair of brass hose fittings for pipes 50 (one straight and one curved)
- Possibility of working for short periods with closed pipes
- During installation, the pump must be filled with liquid, subsequently this operation is no longer necessary

Technical specifications

Material

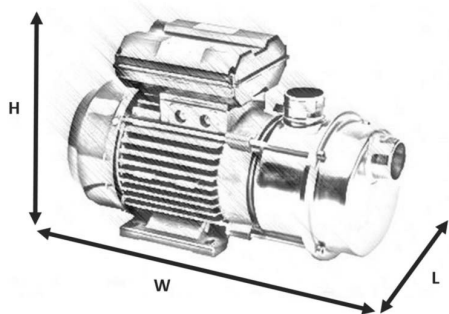
- Pump Parts: Brass
- Shaft : AISI 316
- Impeller : Brass
- Gaskets: NBR

MOTOR

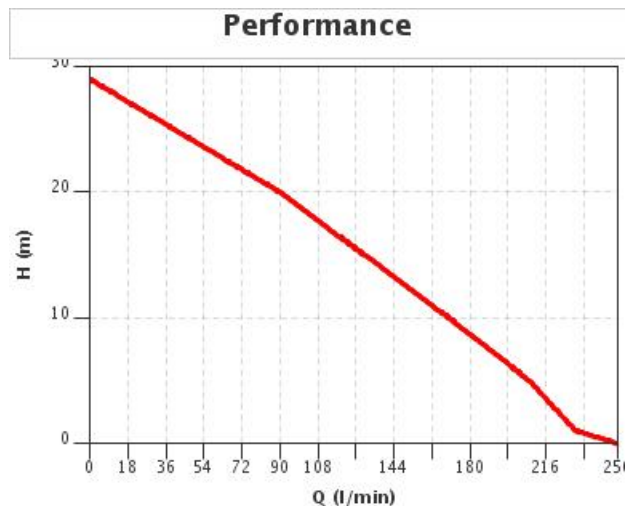
- Powered with a Single-phase asynchronous 230V 50Hz
- Equipped with MEC 90 motor (1400 rpm 2.0HP / 1,5 KW)
- Service S1
- Ip protection degree 44
- Insulation class F
- Power connection via cable end Cable with Schuko plug 2m
- Switching on and reversing of the pumping flow through inverter switch

Pump features				
Ports	Hose fitting	Priming ability	Qmax	Hmax
2"	50 mm	6 m	250 lt/min	29 m

Overall dimensions				
W	L	H	Weight	Leq A*
430 mm	200 mm	250 mm	22.0 kg	91 dB



Capacity (l/min)			
1m	5m	10m	20m
230 lt/min	208 lt/min	170 lt/min	90 lt/min



Characteristics referring to operation with water at 20 °
 * Leq A detected 1 meter from the pump surface

Available for the hydraulic part on request

Available for the motor on request

- [By-pass 50](#)

FOR USE AND TRANSPORT

- Feet for ceiling fixing
- [Plate with handle](#)
- [Trolley](#)

Liquids loading / unloading

- [Filler plug \(brass\)](#)
- [Drain tap \(brass\)](#)

SEALS

- [Mechanical seal](#)
- Viton

SPECIAL PORTS

- [Ports Macon 50 \(brass\)](#)

Motor

- [Terminal board](#)

We reserve the right to make changes without prior notice.

TELLARINI POMPE di G. Tellarini & C.

Via E. Maiorana, 4 - 48022 Lugo (Ravenna) Italy - Tel. +39 0545 22508 - Fax +39 0545 32362
<https://www.tellarini.com> - Email: tellarini@tellarini.com - sales@tellarini.com

ENT 50 - ENT electric pumps



ENT series are professional versions of self-priming brass transfer pumps. Equipped with an oversized three-phase asynchronous motor and long life rotary switch, they are designed for heavy duty applications.

These pumps are equipped with a strong suction capacity, can operate even with discontinuous presence of the liquid and you can reverse the flow. They are really multifunction pumps, able to solve multiple pumping problems. For each application it is necessary to verify the suitability and choose the appropriate gaskets.

The product are particularly suitable for use:

- agriculture (fungicides, liquid fertilizers, components on agricultural machinery, irrigation)
- professional use (continuous over time and heavy-duty applications, installation on systems)
- industry (installation on plant, machinery, machinery, production lines)

Hydraulic specifications

- Maximum capacity : 250 lt/min
- Maximum head : 29 m
- Gasket on the shaft: Seal
- Maximum priming height : 6 m
- Threaded ports: 2"
- Maximum liquid density 1.1g/cm³ free of hard particles in suspension
- Maximum temperature 90°C
- Not suitable for aggressive liquids towards pump construction materials and gaskets (see technical specifications)
- Not appropriate for the transfer of petrol, solvents and, in general, in environments with risk of explosion and fire
- Possibility of reversing the pumping flow
- Coupling with impeller locked
- Complete with a pair of brass hose fittings for pipes 50 (one straight and one curved)
- Possibility of working for short periods with closed pipes
- During installation, the pump must be filled with liquid, subsequently this operation is no longer necessary

Technical specifications

Material

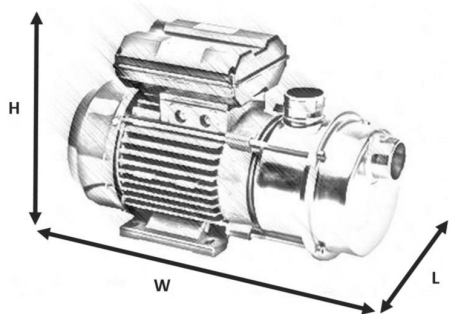
- Pump Parts: Brass
- Shaft : AISI 316
- Impeller : Brass
- Gaskets: NBR

MOTOR

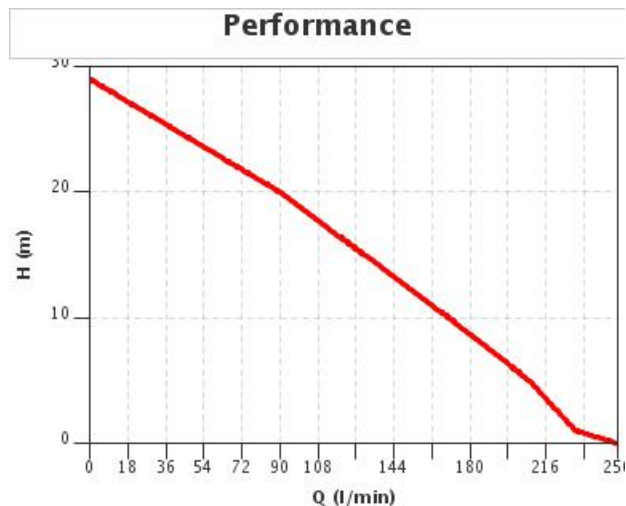
- Powered with a Three-phase asynchronous 380V 50Hz
- Equipped with MEC 90 motor (1400 rpm 2.5HP / 1,9 KW)
- Service S3-80%
- Ip protection degree 44
- Insulation class F
- Power connection via cable end Stripped cable 2m
- Switching on and reversing of the pumping flow through inverter switch

Pump features				
Ports	Hose fitting	Priming ability	Qmax	Hmax
2"	50 mm	6 m	250 lt/min	29 m

Overall dimensions				
W	L	H	Weight	Leq A*
430 mm	200 mm	250 mm	20.7 kg	91 dB



Capacity (l/min)			
1m	5m	10m	20m
230 lt/min	208 lt/min	170 lt/min	90 lt/min



Characteristics referring to operation with water at 20 °
 * Leq A detected 1 meter from the pump surface

Available for the hydraulic part on request

Available for the motor on request

- [By-pass 50](#)

FOR USE AND TRANSPORT

- Feet for ceiling fixing
- [Plate with handle](#)
- [Trolley](#)

Liquids loading / unloading

- [Filler plug \(brass\)](#)
- [Drain tap \(brass\)](#)

SEALS

- [Mechanical seal](#)
- Viton

SPECIAL PORTS

- [Ports Macon 50 \(brass\)](#)

Motor

- [Terminal board](#)

We reserve the right to make changes without prior notice.

TELLARINI POMPE di G. Tellarini & C.

Via E. Maiorana, 4 - 48022 Lugo (Ravenna) Italy - Tel. +39 0545 22508 - Fax +39 0545 32362
<https://www.tellarini.com> - Email: tellarini@tellarini.com - sales@tellarini.com